
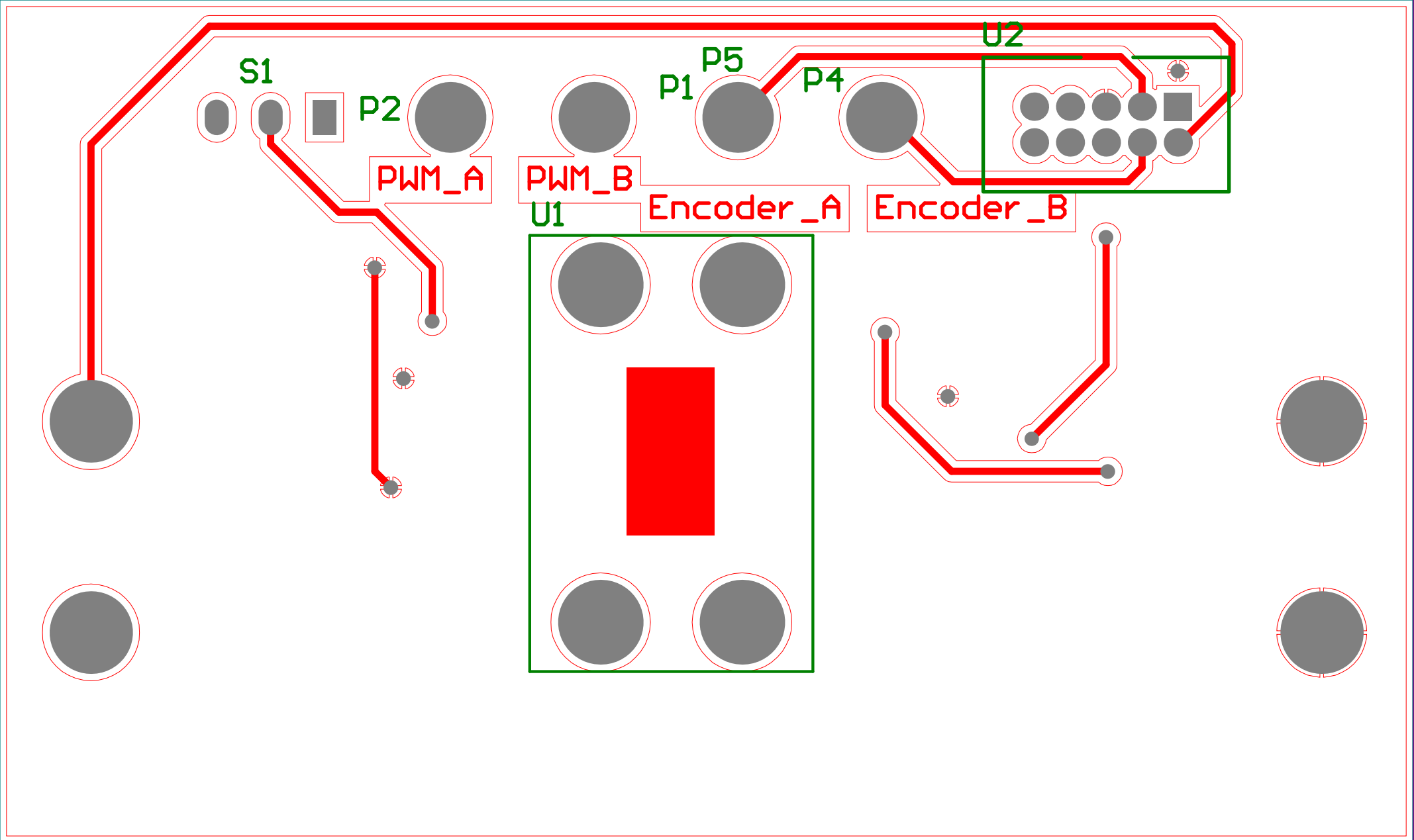


Title: <i>Maxon RE-max13 DC Motor</i>		 NTB INTERSTAATLICHE HOCHSCHULE FÜR TECHNIK BUCHS
Description: <i>Description</i>		
Name: <i>Alison Jäggi</i>	Checked: <i>Aaron Leander</i>	
Size: <i>A4</i>	Number: <i>*</i>	Revision: <i>1.1</i>
Date: <i>30.10.2014</i>	Time: <i>15:26:46</i>	Sheet <i>1</i> of <i>1</i>
File: <i>D:\work\SVN\ch.ntb.inf.expSystem\Motorentreiber Leistungsverstaerker\Maxon_Motorprint_2014\Elektronik\Maxon_Mo</i>		

NTB Interstate University of Applied Sciences of Technology Buchs
 Werdenbergstrasse 4
 9471 Buchs Switzerland

*



Encoder_A

PWM_B

PWM_A

Encoder_B

Q1

F1

R2

R7

R8

C4

C3

C1U3

C2

R5 R6

C5

R3

R4

D1

L1

R9

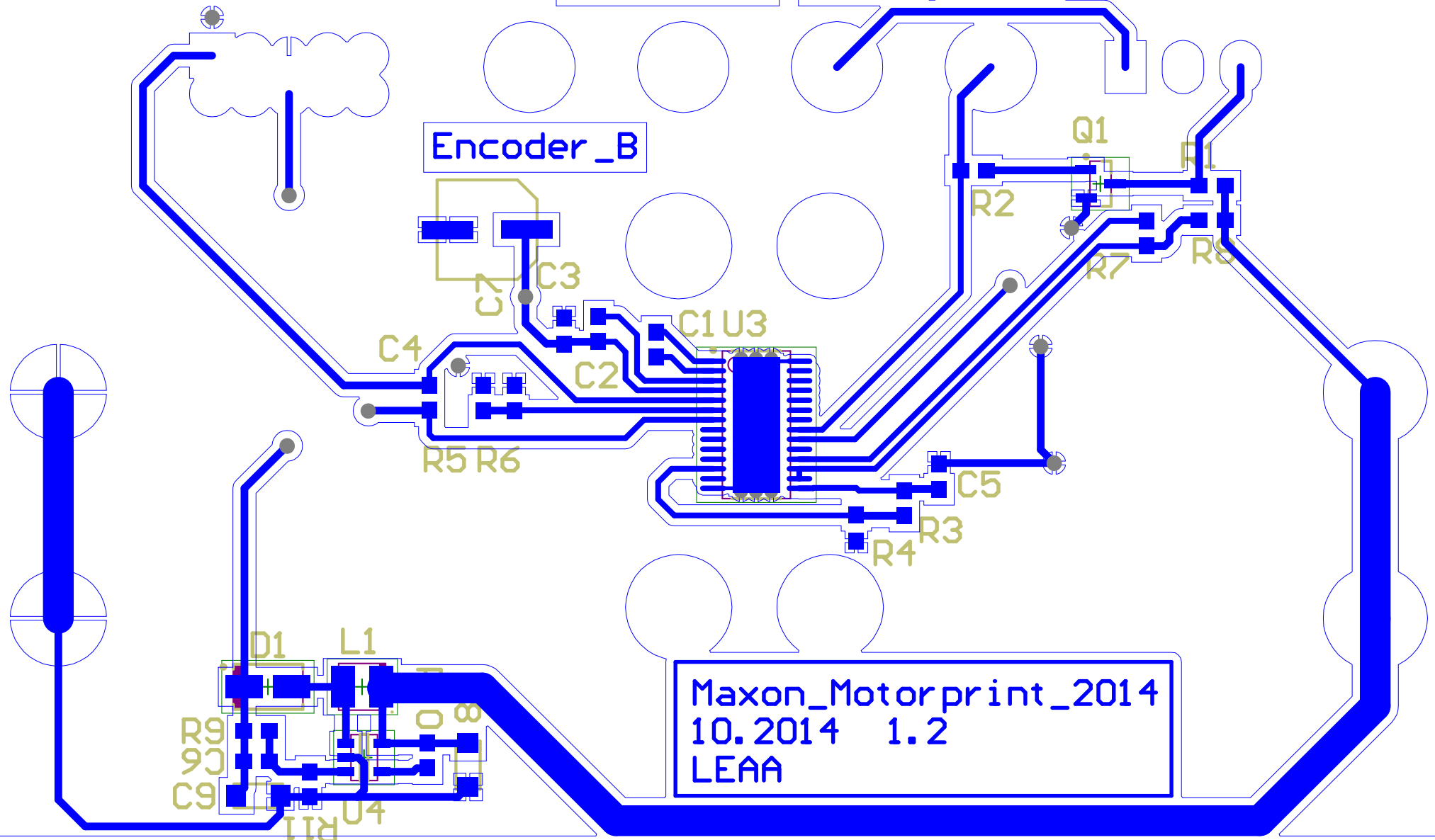
C6

C9

U4

R11

Maxon_Motorprint_2014
10.2014 1.2
LEAA



Comment	Description	Designator	Footprint	LibRef	Quantity
ExpBoard			ExpBoard	ExpBoard	1
10nF	Capacitor	C1	0603	C	1
100nF	Capacitor	C2, C3, C4, C5	0603	C	4
390pF	Capacitor	C6	0603	C	1
CPol		C7	ALU-Elko 6.3x5.5	CPol	1
CPol		C8, C9	3216-18	CPol	2
B130-13-F	B130-13-F	D1	Diode	Diode	1
SRN3015-150M	SRN3015-150M	L1	Spule	Spule	1
AIN2		P1	Pin	Pin	1
AIN1		P2	Pin	Pin	1
Encoder_B		P4	Pin	Pin	1
Encoder_A		P5	Pin	Pin	1
NPN-Transistor	Transistor	Q1	BC846	BC846	1
1K	Resistor	R1, R2	0603	R	2
0R	Resistor	R3, R5, R6	0603	R	3
NA	Resistor	R4	0603	R	1
10K	Resistor	R7, R8, R10, R11	0603	R	4
62K	Resistor	R9	0603	R	1
Schalter	Schalter	S1	Schalter	Schalter	1
Motorenhalterung	Motorenhalterung	U1	Motorenhalterung	Motorenhalterung	1
SteckerMotor	SteckerMotor	U2	SteckerMotor	SteckerMotor	1
DRV8842PWPR	DRV8842PWPR	U3	DRV8841PWPR	DRV8841PWPR	1
LMR62421XMF	LMR62421XMF (DBV)	U4	LMR62421XMF	LMR62421XMF (DBV)	1