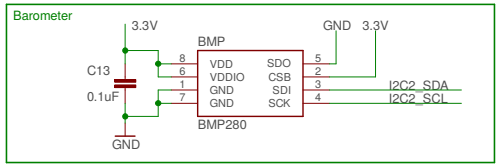
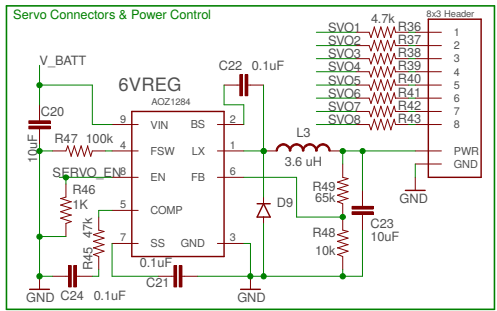
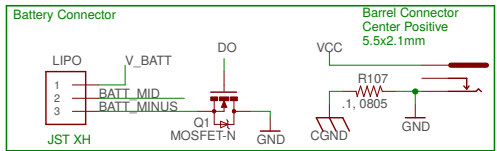
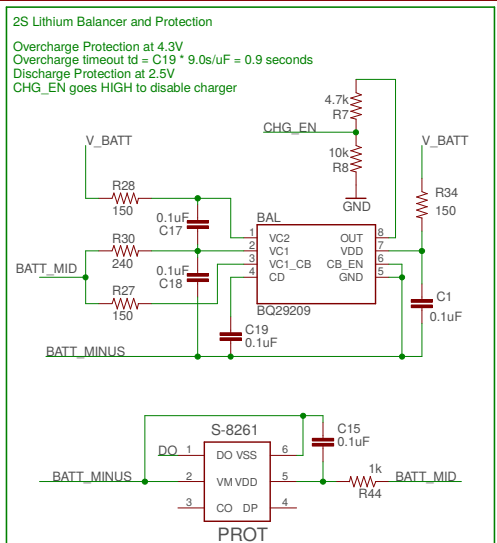
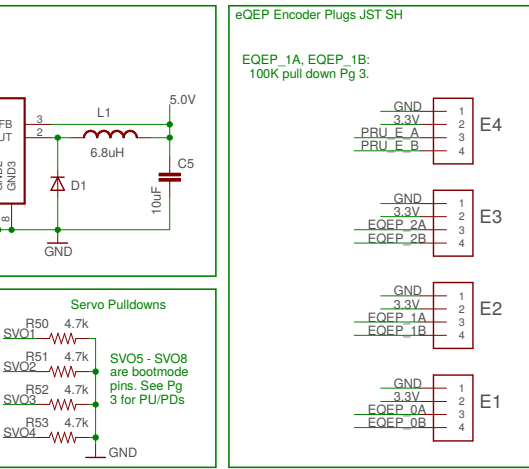
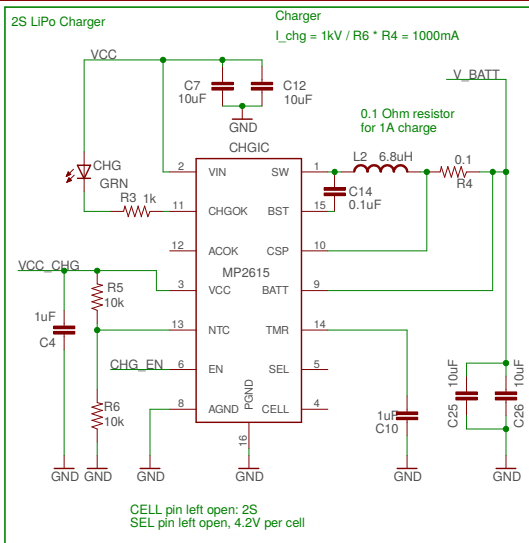
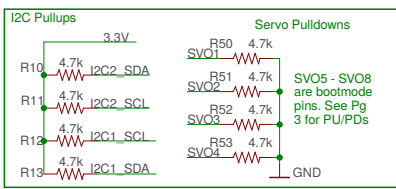
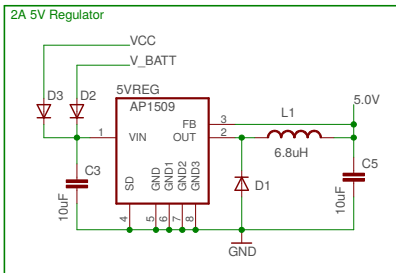
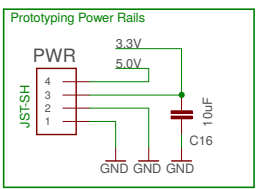
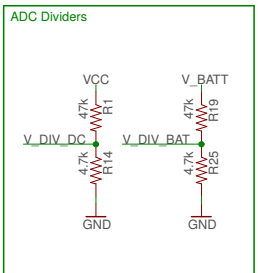
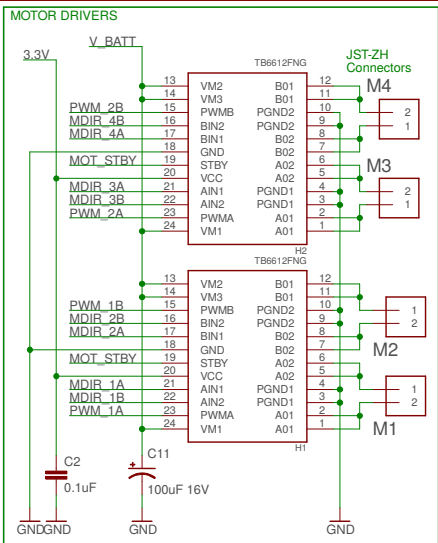
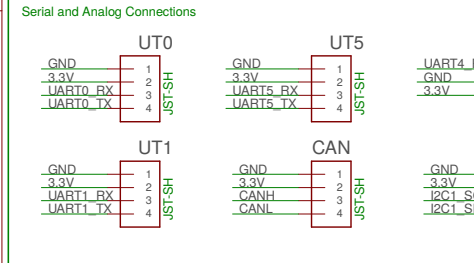
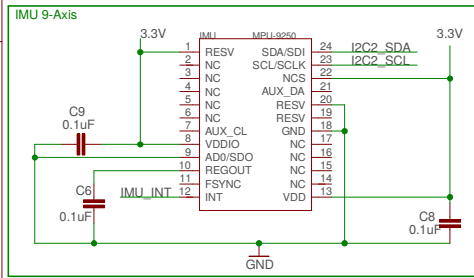
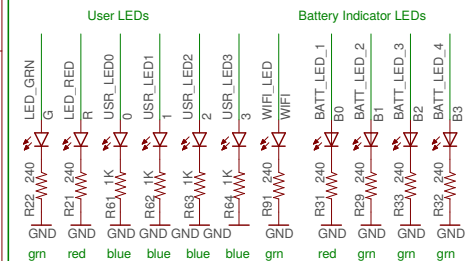
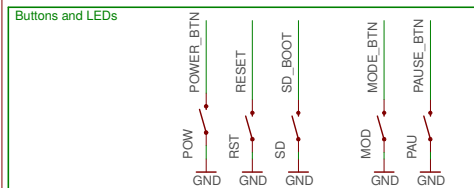


This schematic is "NOT SUPPORTED" and DOES NOT constitute a reference design. Only "communally" support is allowed via resources at BeagleBoard.org/discuss.

THERE IS NO WARRANTY FOR THIS DESIGN, TO THE EXTENT PERMITTED BY APPLICABLE LAW. EXCEPT WHEN OTHERWISE STATED IN WRITING THE COPYRIGHT HOLDERS AND/OR OTHER PARTIES PROVIDE THE DESIGN "AS IS" WITHOUT WARRANTY OF ANY KIND, EITHER EXPRESSED OR IMPLIED, INCLUDING, BUT NOT LIMITED TO, THE IMPLIED WARRANTIES OF MERCHANTABILITY AND FITNESS FOR A PARTICULAR PURPOSE. THE ENTIRE RISK AS TO THE QUALITY AND PERFORMANCE OF THE DESIGN IS WITH YOU. SHOULD THE DESIGN PROVE DEFECTIVE, YOU ASSUME THE COST OF ALL NECESSARY SERVICING, REPAIR OR CORRECTION.

This work is licensed under a Creative Commons Attribution-ShareAlike 3.0 United States License.



BeagleBoard.org
BeagleBone Blue
Rev. A2

BeagleBone_Blue
3/3/17 9:29 PM
Sheet: 1/5

